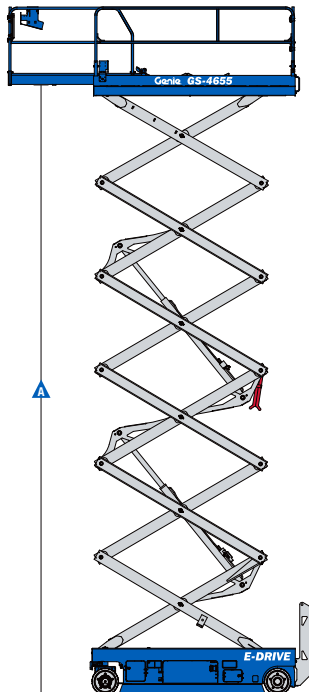
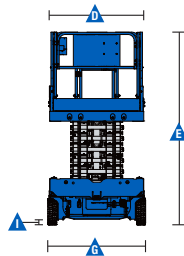
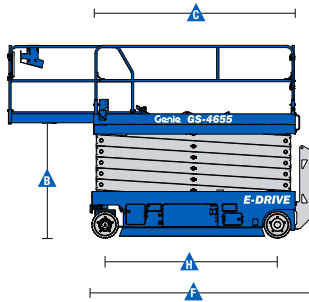




Self-Propelled Scissor Lifts

GS™ -4655



Specifications

Models	GS-4655	
Measurements	Metric	US
Working height maximum - indoor ¹	15.95 m	51 ft 9 in
- outdoor ¹	8.55 m	27 ft 6 in
A Platform height maximum, indoor	13.95 m	45 ft 9 in
Platform height maximum, outdoor	6.55 m	21 ft 6 in
B Platform height - stowed	1.64 m	5 ft 5 in
C Platform length - outside	2.84 m	9 ft 4 in
- extended	4.06 m	13 ft 4 in
D Platform width - outside	1.35 m	4 ft 5 in
E Height - stowed: folding rails	2.77 m	9 ft 1 in
- rails lowered	1.98 m	6 ft 6 in
F Length - stowed	3.11 m	10 ft 2 in
G Width	1.41 m	55.3 in
H Wheelbase	2.46 m	8 ft 1 in
I Ground clearance - center	15 cm	5.9 in
- with pothole guards deployed	2 cm	0.75 in
Roll-out platform extension deck	1.22 m	4 ft
Guardrail height	1.1 m	3 ft 7.3 in
Toeboard height	0.15 m	6 in

Productivity

Max platform occupancy (indoor/outdoor)	3/2	
Lift capacity	350 kg	770 lbs
Lift capacity - extension deck	136 kg	300 lbs
Drive height	Full height	
Drive speed - stowed	3.2 km/h	2.0 mph
Drive speed - raised	0.8 km/h	0.5 mph
Gradeability - stowed ²	25%	
Turning radius - inside	31 cm	12 in
Turning radius - outside	3.05 m	10 ft
Raise/lower speed	92 / 58 sec	
Tilt sensor activation - front to back	3°	
- side to side	1.5°	
Controls	proportional	
Drive	dual front wheel, AC electric	
Brakes	dual front wheel, electric	
Tires solid non-marking	38 x 13 cm	15 x 5 in

Power

Power source	24 V DC, 300 Ah (four 12 V, 150 Ah batteries in parallel series)	
Hydraulic system capacity	30.1 L	7.9 gal

Weight³ / Floor Loading⁴

Weight - ANSI/CSA	3,711 kg	8,181 lbs
Tire load, maximum:	1,670 kg	3,682 lbs
Tire contact pressure:	1,451 kPa	210 psi
Occupied floor pressure:	9.81 kPa	205 psf

Standards Compliance

AS 1418.10

¹ The metric equivalent of working height adds 2 m to platform height. U.S. adds 6 ft to platform height.

² Gradeability applies to driving on slopes. Gradeability may vary depending on the weight of options installed on machine. See operator's manual for details regarding slope ratings.

³ Weight will vary depending on options and/or country standards.

⁴ Note: Floor loading information is approximate and does not incorporate different option configurations. It should be used only with adequate safety factors.



Self-Propelled Scissor Lifts

GS™ -4655

Features

Standard Features

Measurements

GS-4655

- 15.95 m (51 ft 9 in) working height
- 350 kg (770 lb) lift capacity

Productivity

- Drive at full height
- Folding rails with full height swing gate
- SmartLink™ - dual zone control
- Proportional lift and drive
- Platform load sense system
- Platform control guard
- Platform control with battery charge indicator
- Universal 27A smart charger¹
- Lanyard attachment points
- Manual platform lowering valve
- Emergency stop at both platform and ground controls
- Dual front wheel electric brakes
- Manual and electric brake release
- Swing-out component trays
- Pothole guards
- Tilt level sensor with audible alarm
- Dual flashing LED beacons
- Descent alarm
- Automotive-style horn
- Hour meter
- Motion alarm
- Side forklift pockets
- Lift Connect™ Telematics
- Tech Pro™ Link compatible

Power

- 24 V DC, 300 Ah (four 12 V 150 Ah batteries in parallel series)

Platform

- Diamond plate platform floor
- 1.22 m (4 ft) extension deck

Drive

- Dual front wheel AC electric drive

Tires

- Solid non-marking

Options & Accessories

Productivity Options

- Air line to platform

Power Options

- 240 V power to platform

¹ Drive cutout while charging



Genie – Toll free number 1800 788 633

Brisbane

HEAD OFFICE
33 Kimberley Street
Darra QLD 4076

Sydney

74 Glendenning Road
Glendenning NSW 2761

Melbourne

133 Logis Boulevard
Dandenong Sth VIC 3175

Adelaide

16-18 Nixon Road
Wingfield SA 5013

Perth

126 Sheffield Road
Welshpool WA 6106

Darwin

33 McCourt Road
Yarrawonga NT 0830

Genie USA

18430 NE 76th Street
P.O. Box 97030
Redmond, Washington
98073-9730

Distributed By:

Effective Date: June, 2020. Product specifications and prices are subject to change without notice or obligation. The photographs and/or drawings in this document are for illustrative purposes only. Refer to the appropriate Operator's Manual for instructions on the proper use of this equipment. Failure to follow the appropriate Operator's Manual when using our equipment or to otherwise act irresponsibly may result in serious injury or death. The only warranty applicable to our equipment is the standard written warranty applicable to the particular product and sale and we make no other warranty, express or implied. Products and services listed may be trademarks, service marks or trade names of Terex Corporation and/or their subsidiaries in the USA and many other countries. Terex, Genie and AWP are registered trademarks of Terex Corporation or its subsidiaries. © 2020 Terex Corporation.

www.genielift.com.au