

MATERIAL LIFTS

LOAD LIFTER™



Features

STANDARD FEATURES

MEASUREMENTS

- 1.70 m (5 ft 7 in) working height
- Up to 91 kg (200 lbs) load capacity

PRODUCTIVITY

- Load platform
- Portable and compact design
- Lightweight durable aluminum construction
- High strength aircraft quality cable
- Cushioned neoprene hand grip
- Beveled aluminum platform for easy loading and unloading
- Portable - folds for compact storage
- 20 cm (8 in) non-marking rear wheels
- Stair glides for easy handling on stairs
- Hold-down mechanism secures for transport

STANDARD FEATURES cont.

POWER

- Standard quiet high-speed winch
- Reversible winch handle for easy storage

OPTIONS & ACCESSORIES

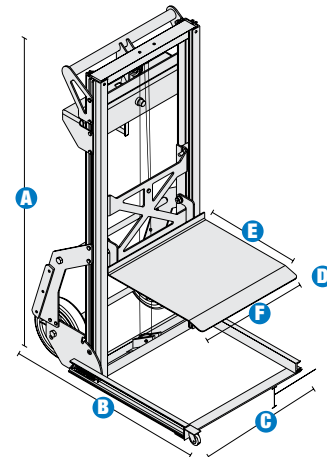
PRODUCTIVITY

- Pneumatic 20 cm (8 in) rear wheels for rough terrain
- 5 cm (2 in) non-marking front swivel casters
- Field-installable foot break



Specifications

MODEL	LOAD LIFTER™	
MEASUREMENTS	Metric	US
A Height - stowed	1.14 m	3 ft 9 in
Height - platform maximum	1.70 m	5 ft 7 in
B Length - stowed	0.38 m	1 ft 3 in
Length - operating	0.73 m	2 ft 4.75 in
C Width - stowed	0.52 m	1 ft 8.5 in
PRODUCTIVITY		
Load capacity	91 kg	200 lbs
D Load height minimum	0.05 m	2 in
Ground clearance - centre	0.02 m	0.75 in
Average cranks - standard winch	3 cranks/0.30 m	3 cranks/ft
E Load platform length	0.36 m	1 ft 2 in
F Load platform width	0.43 m	1 ft 4.75 in
POWER		
Power source	reversible standard winch	
WEIGHT*		
	29 kg	65 lbs



* Weight will vary depending on options and/or country standards.

Genie Australia – Toll free number 1800 788 633

Brisbane (Head Office)
33 Kimberley Street
Darra QLD 4076

Sydney
74 Glendenning Road
Glendenning NSW 2761

Melbourne
374 Hammond Road
Dandenong VIC 3175

Perth
126 Sheffield Road
Welshpool WA 6106

Genie United States Distributed by:

18340 NE 76th Street
P.O. Box 97030
Redmond, Washington
98073-9730

Effective Date: April 2012. Product specifications and prices are subject to change without notice or obligation. The photographs and/or drawings in this document are for illustrative purposes only. Refer to the appropriate Operators' Manual for instructions on the proper use of this equipment. Failure to follow the Operators Manual when using our equipment or to otherwise act irresponsibly may result in serious injury or death. The only warranty applicable to our equipment is the standard written warranty applicable to the particular product and sale and we make no other warranty, express or implied. Products and services listed may be trademarks, service marks, or trade names of Terex Corporation, Terex South Dakota, Inc., and/or their subsidiaries in the USA and other countries. All rights reserved. Terex is a registered trademark of Terex Corporation in the USA and many other countries. Genie is a registered trademark of Terex South Dakota, Inc. in the USA and many other countries. ©2009 Terex Corporation.