

1250AJP

ULTRA SERIES BOOM LIFT



Performance

| | |
|----------------------------------|-----------------|
| Platform Height | 38.30 m |
| Working Height | 40.30 m |
| Horizontal Reach | 19.25 m |
| Up and Over Height | 18.44 |
| Swing | 360° Continuous |
| Platform Capacity — Restricted | 450 kg |
| Platform Capacity — Unrestricted | 230 kg |
| Platform Rotator | 180° |
| JibPLUS® Length | 2.44 m |
| Horizontal Motion | 125° |
| Vertical Motion | 130° (+75/-55) |
| Weight | 21,000 kg |
| Drive Speed - Lowered | 5.2 km/h |
| Drive Speed - Elevated | 0.5 km/h |
| Gradeability | 45% |
| Turning Radius (Inside) | |
| Axles Retracted | 4.39 m |
| Axles Extended | 2.44 m |
| Turning Radius (Outside) | |
| Axles Retracted | 6.86 m |
| Axles Extended | 5.89 m |

Standard Specifications

Power Source

| | |
|----------------------|-------|
| Diesel Engine | |
| Deutz TD2011LO40 T4i | 55 kW |
| Fuel Tank Capacity | 117 L |

Hydraulic System

- 202 L

Tyres

- Standard 445/50D710 24 Urethane-Filled

Standard Features

- Platform: 0.91 x 2.44 m Side Entry with Self-Closing Self-Locking Gate
- 2.44 m JibPLUS® Boom
- Selectable Capacity Envelope
- 180° Hydraulic Platform Rotator
- AC Receptacle in the Platform
- 5.5kVA Generator
- 1/2 in. Air Line to Platform
- 5 x 3 Degree Tilt Alarm/Indicator Light
- All Motion Alarm
- Swing-Out Engine Tray
- 12V DC Auxiliary Power
- Hourmeter
- Control ADE® System
- Full-time 4WD
- 3 Selectable Steering Modes
- Drive-out Extendible Axles
- Oscillating Axle
- Proportional Controls
- Gull-Wing Hoods
- 445/50D710 Urethane-Filled Rim Protector Lug Tread Tyres
- Platform Console Machine Status Light Panel*
- Lifting/Tie Down Lugs
- Engine Distress Warning/Shutdown—Selectable via JLG Analyzer

* Provides indicator lights at platform control console for system distress, fuel level, low fuel, 5 degree tilt light, and foot switch status.



Accessories & Options

- .91 x 1.83 m Platform Entry
- Mesh to Mid Rail
- Light Package¹
- Special Hydraulic Oils
- Console Cover
- Corner Storage Tray
- ClearSky®
- SkyGuard™
- Pipe Racks
- Cable Tray Carrier

1. Includes platform mounted worklights and drive/backup lights.

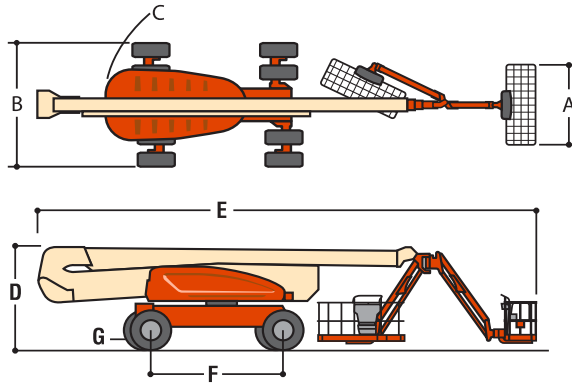
1250AJP

ULTRA SERIES BOOM LIFT



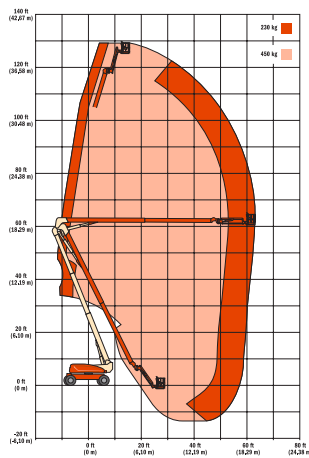
Dimensions

All dimensions are approximate.



| | |
|---|---------------|
| A. Platform Size | 0.91 x 2.44 m |
| B. Overall Width Axles Retracted | 2.49 m |
| Overall Width Axles Extended | 3.81 m |
| C. Tailswing | 0.91 m |
| D. Stowed Height | 3.05 m |
| E. Overall Length Jib Stowed | 11.46 m |
| Overall Length Jib Deployed | 14.48 m |
| F. Wheel Base | 3.81 m |
| G. Ground Clearance | |
| Axle | 30 cm |
| Chassis | 65 cm |

Load Chart



The JLG "1 & 5" Warranty

JLG Industries, Inc. backs its products with its exclusive "1 & 5" Warranty. We provide coverage on all products for one (1) full year and cover all specified major structural components for five (5) years. Due to continuous product improvements, we reserve the right to make specification and/or equipment changes without prior notification. This machine meets or exceeds AS/NZS 1418.10 2011 as originally manufactured for intended applications.

JLG Industries (Australia)

358 Park Road
Regents Park, NSW 2143
Telephone 02 8718 6300
Fax 02 8718 6377
www.jlg.com.au

An Oshkosh Corporation Company