

# 3507H Compact Telehandler



## APPLICATIONS

- Landscape contractors
- Brick and block layers
- Maintenance and construction work
- Fencing and railway sleeper contractors
- Building supplies
- Multi-storey car park maintenance and construction
- Facilities Maintenance
- Agriculture

Fork capacity of up to 3,350kg

2 section boom with protected hoses and cylinder

Attachments – choose from a variety of attachments including forks, carriages and buckets

A spacious cab with air conditioning and easy entry and exit lets you work in greater comfort

74.9kW Deutz high horsepower engine gives you the power you need.

Front wheel, all-wheel and crab steer for the access you need.



131 JLG

[www.jlg.com.au](http://www.jlg.com.au)

## 3507H Compact Telehandler

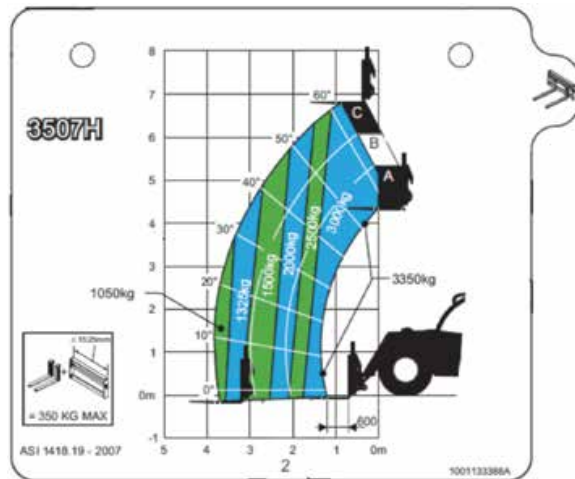


### QUESTIONS TO ASK

- What are the ground conditions in the work area?
- What are the site conditions travelling around the site?
- What is the working height needed for the job?
- What is the outreach required for the job?
- What is the rated capacity of the load on forks?

### KEY SELLING POINTS

- Smoother control, proportional hydra-static 4 wheel drive with two speed ranges
- Proportional lift, telescope and fork tilt
- Spring applied/hydraulic released park brake
- Drive 'inching' feature for smooth pick and place operation
- Oscillating rear axle, assists 4 wheel drive traction
- Front 2 wheel steer, 4 wheel steer and crab steer
- Airconditioning for operator comfort
- Large 24" industrial lug pattern air filled tyres
- Plug-in JLG analyser in cabin to indicate system functions for servicing and adjustment
- Deutz Engine TCD2012L04 Tier 3, 4 cylinder liquid cooled 75kW/100 Hp engine
- AS1418.19 2007 Compliant
- EN15000 Compliant



### SPECIFICATIONS

#### Summary:

Maximum Lift Height	6.9m
Maximum Lift Capacity	3,350kg
Maximum Forward Reach	3.9m
Lift Capacity at Full Height	3,000kg
Lift Capacity at Maximum Reach	1,050kg
Maximum Reach with 1,000kg	3.9m
Lift Height with Maximum Capacity	4.6m

#### Engine Standard:

Engine Make	Deutz Tier 3
Gross Output	74.9kW

#### Transmission:

Drive	4W
Transmission Type	Hydrastatic
No. of Gears Fwd/Reverse	2F/2R
Maximum Speed	32km/h

#### Tyres:

Tyres Front Standard	Crossply 405/70-24
Tyres Rear Standard	Crossply 405/70-24
Pneumatic Tyre Type	MPT-04 Industrial

#### Chassis:

Chassis Levelling	No
Steering Type	2W/4W/Crab

#### Hydraulics:

Pump Type	Piston
Maximum Implement Flow	87 ltr/min
No. of Auxillary Services	2 with electric switch-over

#### Capacities:

Fuel Tank	102 Ltr
-----------	---------

#### Static Dimensions:

Length	4.80m
Overall Width	2.33m
Height Over Cab	2.45m
Wheelbase	2.98m
Ground Clearance	0.46m
Turn Radius Over Tyres	3.87m
Weight	8,096kg

#### Performance:

Load Centre	0.6m
-------------	------