

800AJ HC3

ARTICULATING HI-CAPACITY BOOM LIFT



Performance

Platform Height	24.50 m
Horizontal Outreach	15.90 m
Swing	360 Degrees Continuous
Platform Capacity	
Restricted	340/454 kg
Unrestricted	300 kg
Platform Rotator	180 Degrees Hydraulic
Jib Range of Articulation	130 Degrees (+70, -60)
Weight	17,023 kg
Drive Speed 4WD	4.8 kph
Gradeability 4WD	45%
Tilt Cut Out	5 Degrees
Turning Radius	
Inside	3.12 m
Outside	6.56 m

Standard Specifications

Power Source

Engine	Deutz D2011LO4 Tier 4i (49 hp 36.4 kw)
Fuel Tank Capacity	147 L

Hydraulic System

Capacity	151 L
Auxiliary Power	12V DC

Tyres

Non-Marking	18 x 625 Foam Filled
-------------	----------------------

Standard Features

- Oscillating Axle
- 4WD
- Non-Marking Tyres
- Generator including AC Outlets to Platform and ELCB
- 180 Degree Hydraulic Platform Rotator
- 5 Degree Tilt Alarm/Indicator Light
- Swing-Out Engine Tray
- Flashing Amber Beacon
- 12V-DC Auxiliary Power
- Hourmeter
- Horn
- Control ADE® System
- Proportional Controls
- Gull-Wing Engine Hood
- Self-Closing Self-Locking Gate
- LED Light Panel at Platform and Ground Control Consoles
- Status Light Panel*
- Lifting/Tie Down Lugs
- Engine Distress Warning & Shutdown
- All Motion Alarm
- Glow Plugs (Diesel Engines)
- Load Sensing System
- SkyGuard SkyLine
- AS/NZS 1418.10 Compliance

* Provides indicator lights at platform and ground control consoles to show system distress, 5 degree tilt light, and foot switch status.



HC3

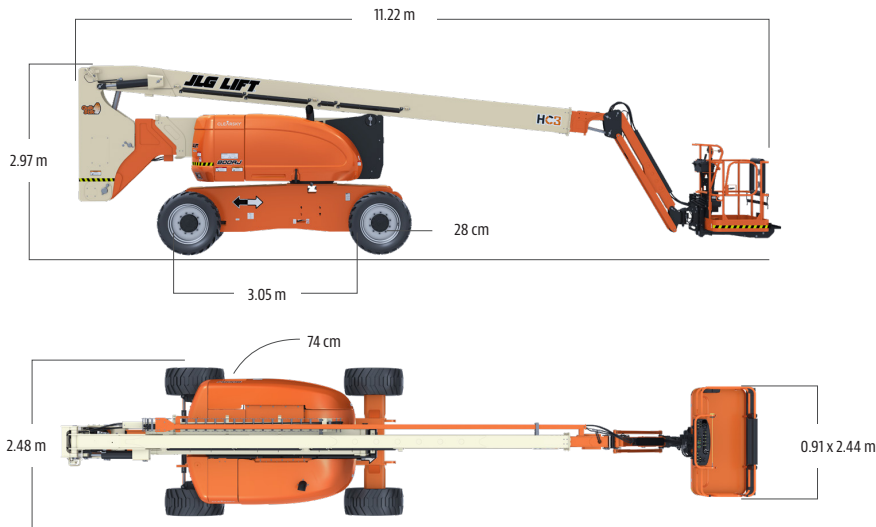
3 Capacity Zones - Each rated for 3 occupants + tools/materials

Accessories & Options

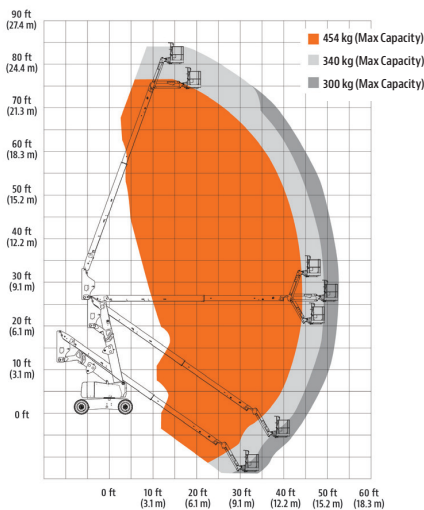
- Platform: 36 x 72 in. (0.91 x 1.83 m)
- Fall Arrest Platform
- SkySense™
- Mesh to Mid Rail
- Fire Extinguisher
- White Noise (Squawker) Alarm
- Pipe Racks
- SkyGlazier

Dimensions

All dimensions are approximate.



Reach Dimensions



The JLG "1 & 5" Warranty

JLG Industries, Inc. backs its products with its exclusive "1 & 5" Warranty. We provide coverage on all products for one (1) full year and cover all specified major structural components for five (5) years. Due to continuous product improvements, we reserve the right to make specification and/ or equipment changes without prior notification. This machine meets or exceeds AS/NZS 1418.10 2011 as originally manufactured for intended applications.

R042221

JLG Industries (Australia)

358 Park Road
 Regents Park, NSW 2143
 Telephone 02 8718 6300
 Fax 02 8718 6377
www.jlg.com.au

An Oshkosh Corporation Company