

## X13J PLUS

COMPACT CRAWLER BOOM



### Performance

Working Height	13.30m
Platform Height	11.30 m
Working Outreach	7.08 m
Up & Over Height	4.90 m
Swing (non continuous)	360°
Jib - overall length	1.68 m
Jib - range of articulation (+/-)	89° (+0/-89°)
Platform Capacity	230 kg unrestricted
Platform size	0.60 m x 1.31 m
Basket Rotation	124° (+/- 62°)
Stowed width	1.31 m
Machine weight <sup>1</sup>	2,185 kg
Gradeability	28%
Maximum operating slope	16°
Max. Approach / Depart angles	Front 20° / Rear 23°
Width of Undercarriage (Retracted/Extended)	0.75 m / 1.10 m

<sup>1</sup> Certain options or country standards may increase weight and/or dimensions.

### Standard Specifications

#### Power Source

Power Source Petrol

- Engine Honda iGX390 11.7 kW Petrol
- AC electric motor 230 V, 50 Hz 2.2 kW

Power Source Diesel

- Hatz 1B40 – 7.5 kW (10HP) Diesel
- AC electric motor 230 V, 50 Hz 2.2 kW

Power Source Battery

- 100 Ah/ 48 V Electric engine with Lithium battery package including battery charger

#### Tracks

- Low profile non marking rubber tracks 1.24 m x 0.18 m x 0.30 m

### Standard Features

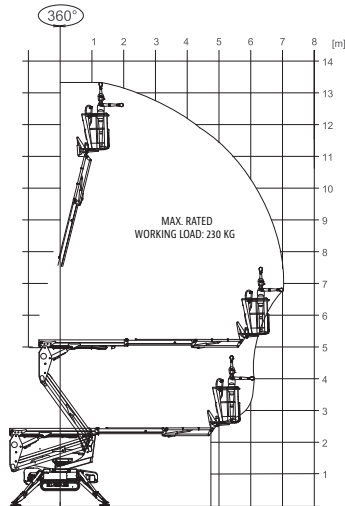
- 0.69 m x 1.34 m Aluminium 2 person platform
- SkyGuard
- Slide bar rear entry
- Footswitch
- Full proportional control
- Articulating jib
- Remote Control (via cable to platform)
- Full Remote Control of drive and stabilization
- Multi-lingual LCD display on platform console
- Platform console position sensor and lock
- Envelope management load sensing system
- Platform designed for ease of removal/changeover
- Engine protection
- Rubber Outrigger Pads
- Cylinder Rod Protection on Outriggers
- Automatic cut-out when out of level
- Powered track extensions/retraction
- Turntable alignment sensor and gauge
- Emergency descent systems
- Electro-hydraulic controls
- Full pressure hydraulic controls
- Lifting/Tie down points
- Forklift pockets
- AS/NZS 1418.10 Compliance



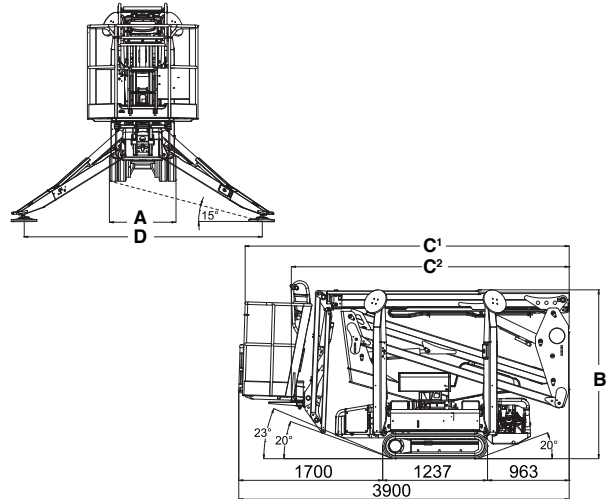
### Accessories & Options

- AC Outlet To Platform incl. ELCB
- Fire Extinguisher

## Reach Diagram



## Dimensions



## Dimensions

A. Stowed width (without platform)	0.79 m
B. Stowed height (on tracks)	1.99 m
C1. Stowed length (on tracks) with basket	3.90 m
C2. Stowed length (on tracks) without basket	3.28 m
D. Outtrigger footprint	2.80 x 2.80 m

## The JLG "1 & 5" Warranty

JLG Industries, Inc. backs its products with its exclusive "1 & 5" Warranty. We provide coverage on all products for one (1) full year and cover all specified major structural components for five (5) years. Due to continuous product improvements, we reserve the right to make specification and/ or equipment changes without prior notification. This machine meets or exceeds AS/NZS 1418.10 2011 as originally manufactured for intended applications.

R122120



### JLG Industries (Australia)

358 Park Road  
Regents Park, NSW 2143  
Telephone 02 8718 6300  
Fax 02 8718 6377  
[www.jlg.com.au](http://www.jlg.com.au)

An Oshkosh Corporation Company