



**TURBOFARMER COMPACT**  
**TF33.7-100 EE, TF33.7 L-100 EE**



## PERFORMANCE AND FEATURES

## TF33.7-100 EE

### PERFORMANCE

Total unladen weight (kg)	6450
Maximum capacity (kg)	3000
Lifting height (m)	6,3
Maximum reach (m)	3,6
Maximum operating height (m)	5,4
Maximum operating reach (m)	1,6
Capacity at maximum height (kg)	2300
Capacity at maximum reach (kg)	1250
Lateral boom movement (mm)	-
Tilting correction (%)	-
Boom sections	2

### POWERTRAIN

Turbo motor	Kubota V3800
Displacement/cylinders	3800/4
Engine Power (kW/HP)	74/100
Anti-pollution technology	TIER 3, STAGE IIIA
Reversible fan	●
Maximum speed (km/h)	40
Fuel tank (l)	80
AdBlue tank (l)	-
Hydrostatic transmission	● - 2V
EPD	-
Axles	Axial
Reduction hub	Epicyclic
Machine brakes	Dry discs
Automatic parking brake	●

### HYDRAULIC

Hydraulic pump	LS+FS
Flow rate/pressure (l/min – bar)	140-210
Hydraulic tank	85
Hydraulic outlet at the top of the boom	●
Rear hydraulic outlets	○

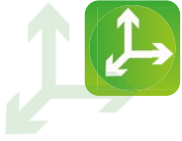
### CAB

Cab configuration	ECO
MCDC	Complet
FOPS LIV II cab	●
ROPS cab	●
Cab commands	Electronic joystick
Tilting Cab	-
Reverse shuttle	Dual reverse

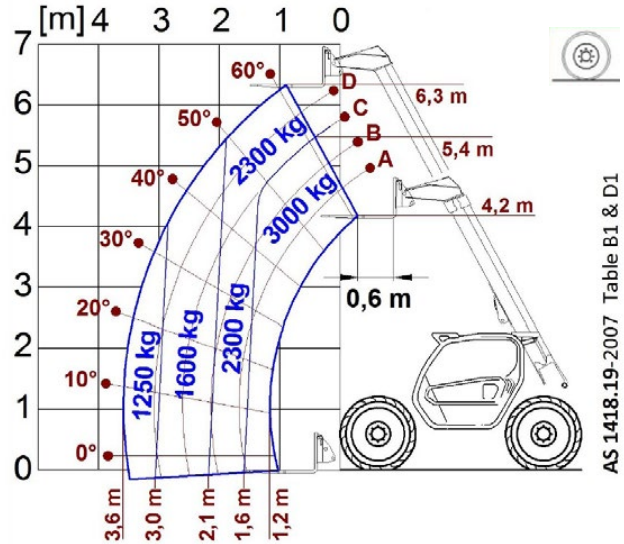
### CONFIGURATION

Cab suspension	-
Boom suspension	●
Suspension on axles	-
Work headlights on cab	●
Sun blind	●
Tac-lock	●
Provision for a platform	○
Two floating forks	●
Inching-Control	●
Four-wheel drive	●
Four-wheel steering	●
Three steering modes	●
Standard tyres	400/70-20
Optional tyres	-
Stabilisers	-
Turret rotation	-
Type approval as an agricultural tractor	-
Approval with PNEUMATIC braking	-
Approval with HYDRAULIC braking	-
PTO	-
3-point linkage	-

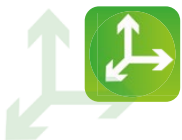
- Not Available. ● standard. ○ optional.



## LOAD CHARTS



TF33.7



## DIMENSIONS

	TF33.7 100 EE		
A (mm)	4310		
B (mm)	970		
C (mm)	2740		
D (mm)	600		
E (mm)	3910		
F (mm)	340 (300 L)		
H (mm)	2100		
M (mm)	995		
P (mm)	2120 (2020 L)		
R (mm)	3930		
S (mm)	4660		
Z (mm)	850		

