

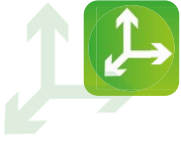


TURBOFARMER II
TF42.7-100 EE, TF38.10-100 EE

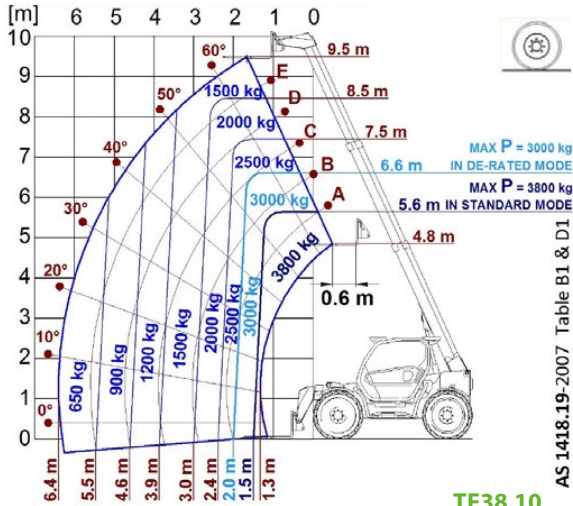


PERFORMANCE AND FEATURES	TF42.7-100 EE	TF38.10-100 EE	
PERFORMANCE			
Total unladen weight (kg)	7450	7900	
Maximum capacity (kg)	4000	3800	
Lifting height (m)	7,2	9,5	
Maximum reach (m)	3,8	6,4	
Maximum operating height (m)	5,4	5,6	
Maximum operating reach (m)	1,4	1,5	
Capacity at maximum height (kg)	2750	1500	
Capacity at maximum reach (kg)	1400	650	
Lateral boom movement (mm)	-	-	
Tilting correction (%)	-	-	
Boom sections	2	3	
POWERTRAIN			
Turbo motor	Kubota V3800	Kubota V3800	
Displacement/cylinders	3800/4	3800/4	
Engine Power (kW/HP)	74/100	74/100	
Anti-pollution technology	TIER 3, STAGE IIIA	TIER 3, STAGE IIIA	
Reversible fan	●	●	
Maximum speed (km/h)	40	40	
Fuel tank (l)	140	140	
AdBlue tank (l)	-	-	
Hydrostatic transmission	● - 2V	● - 2V	
EPD	-	-	
Axles	Drop portal	Drop portal	
Reduction hub	RR700	RR700	
Machine brakes	Dry disc	Dry disc	
Automatic parking brake	●	●	
HYDRAULIC			
Hydraulic pump	LS	LS	
Flow rate/pressure (l/min – bar)	140-210	140-210	
Hydraulic tank	110	110	
Hydraulic outlet at the top of the boom	●	●	
Rear hydraulic outlets	○	○	
CAB			
Cab configuration	ECO	ECO	
MCDC	Complet	Complet	
FOPS LIV II cab	●	●	
ROPS cab	●	●	
Cab commands	Electromechanical joystick	Electromechanical joystick	
Tilting Cab	-	-	
Reverse shuttle	Dual reverse	Dual reverse	
CONFIGURATION			
Cab suspension	-	-	
Boom suspension	●	●	
Suspension on axles	-	-	
Work headlights on cab	●	●	
Sun blind	●	●	
Tac-lock	●	●	
Provision for a platform	○	○	
Two floating forks	●	●	
Inching-Control	●	●	
Four-wheel drive	●	●	
Four-wheel steering	●	●	
Three steering modes	●	●	
Standard tyres	405/70-24"	405/70-24"	
Optional tyres	-	-	
Stabilisers	-	-	
Turret rotation	-	-	
Type approval as an agricultural tractor	-	-	
Approval with PNEUMATIC braking	-	-	
Approval with HYDRAULIC braking	-	-	
PTO	-	-	
3-point linkage	-	-	

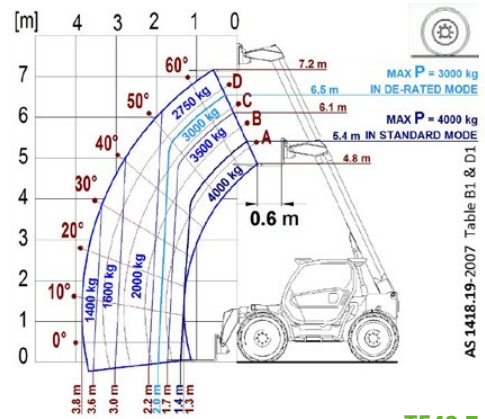
- Not Available. ● standard. ○ optional.



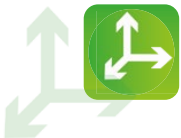
LOAD CHARTS



TF38.10



TF42.7



DIMENSIONS

	TF42.7 100 EE	TF38.10 100 EE	
A (mm)	4560	4560	
B (mm)	1160	1160	
C (mm)	2750	2750	
D (mm)	650	650	
E (mm)	3926	3926	
F (mm)	460	460	
H (mm)	2250	2250	
M (mm)	995	995	
P (mm)	2530	2530	
R (mm)	3985	3985	
S (mm)	4800	4800	
Z (mm)	850	850	

