

PB3315



The 3315's unique telescoping articulated boom design provides exceptional up and over outreach specifications. Dual position stabiliser legs allow the 3315 to be set-up in the most difficult locations. Even with the stabilisers set in the narrow position, a complete 360 degrees slew is still possible!

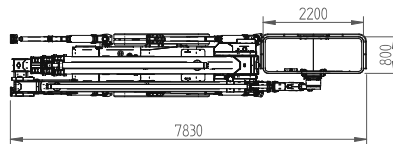
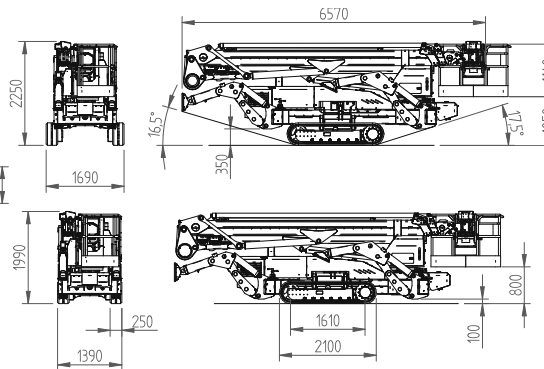
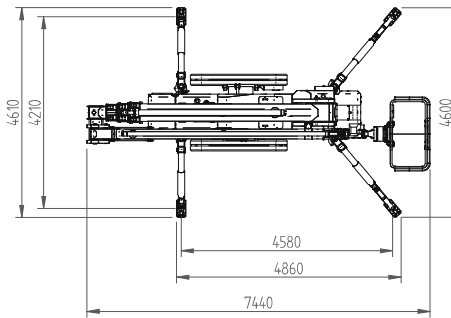
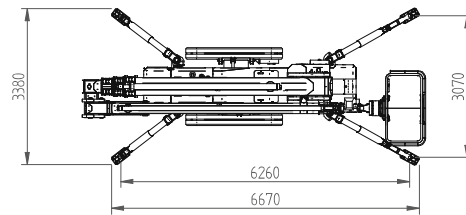
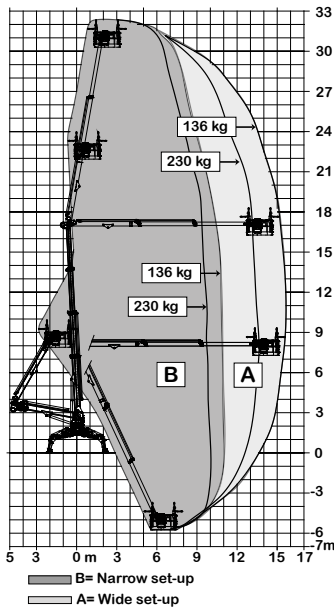
This 33 m Spider Lift is amazingly compact. With the basket removed, the length is only 6.5 m. Height is 1.99 m and width 1.39 m for commercial doorway access (with tracks retracted.) The extra-long travel stabiliser legs mean you can not only set the 3315 up on very uneven ground, but it can also self-load onto some trucks and trailers.

Strong steel booms ensure an extremely stable working platform. Uniquely a very large 2.2 m wide basket can be used on this rugged machine.

Far left: The 3315 provides huge reach from very compact dimensions.

Above middle: Transport is much simpler and more economical than conventional Boom Lifts of similar working height.

Above: Look at the travel in those legs! This machine will set up almost anywhere. The 3315 also provides a 'negative reach' of - 5 m.



PB3315

| | |
|--|------------------------|
| Max working height | 32.40 m |
| Max working height in narrow set | 32.40 m |
| Max horizontal outreach | 15.20 m |
| Max SWL | 230 kg |
| Weight: Engine + Batteries | 6980 kg |
| Turret rotation | 400 ° |
| Basket rotation | 180 ° |
| Ground pressure driving (approx) | 68.6 kN/m ² |
| Max stabiliser force | 46.8 kN |
| Max stabiliser pressure (std foot pad) | 520 kN/m ² |
| Traffic load (live load) travelling | 6.75 kN/m ² |
| Traffic load (live load) stabilised wide | 3.5 kN/m ² |
| Traffic load (live load) stabilised narrow | 3.4 kN/m ² |
| Auto levelling | Std |
| Max slope for stabilisers (no extra pads) | 15 ° |
| Gradeability lengthwise | 16 ° |
| Gradeability sideways | 17 ° |
| Standard power source | Kubota 22 Hp Diesel |
| Optional power source | N/A |
| Dual power options | Batteries |
| Expanding tracks | Std |
| Drive Speed | 2.2 km/h |
| Radio control | Std |
| Electric emergency lowering | Std |

(All specs E&OE and subject to change)

SEE THE 3315
IN ACTION

