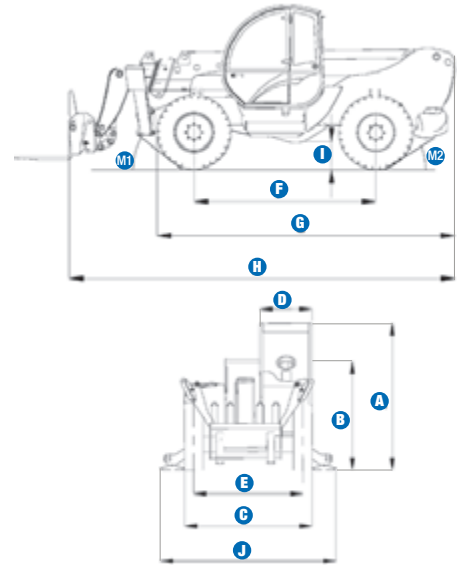


Specifications

MODEL		GTH™ -4010	
MEASUREMENTS		Metric	US
Lifting height maximum		9.82 m	32 ft 3 in
Lifting capacity maximum		4,000 kg	8,818 lbs
Lift capacity at maximum height		3,000 kg	6,614 lbs
Lift capacity at maximum reach		2,000 kg	4,409 lbs
Forward reach maximum		6.07 m	19 ft 11 in
Reach at maximum height		0.65 m	2 ft 2 in
A Height		2.41 m	7 ft 11 in
B Height at steering wheel		1.65 m	5 ft 5 in
C Width		2.25 m	7 ft 5 in
D Inside cab width		0.78 m	2 ft 7 in
E Track		1.85 m	6 ft 1 in
F Wheelbase		2.75 m	9 ft
G Length at front wheels		4.39 m	14 ft 5 in
H Length at fork-holder plate		6.06 m	19 ft 11 in
I Ground clearance		0.40 m	1 ft 4 in
J Overall width, outriggers extended		2.93 m	9 ft 7 in
M1 Obstruction angle		32°	32°
M2 Departure angle		31°	31°



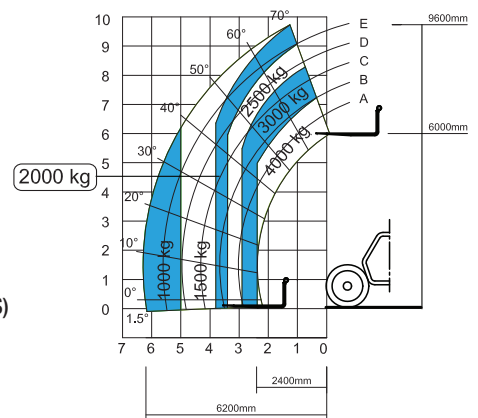
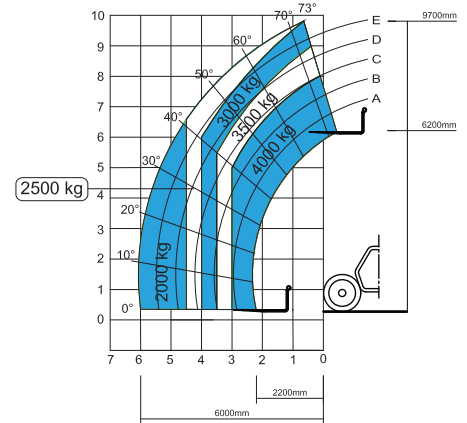
PRODUCTIVITY			
Inside/outside turning radius		1.80 m / 3.85 m	5 ft 11 in / 12 ft 8 in
Break out force (with 800L bucket SAE J 732)		5,500 kg	12,125 lbs
Drawbar pull		8,200 kg	9,920 lbs
Drive speed		30 km/h	18.6 mph
Fork-holder plate rotation		128°	128°
Floating forks		L 1200 mm Section 120 x 45 mm	L 3 ft 11 in Section 4.7 in x 1.77 in
Tyres (DIN 70361)		405/70-24" PR14 8-hole wheel rim	
Lifting/lowering speed		13 / 8 sec	13 / 8 sec
Extension/retraction speed		20 / 24 sec	20 / 24 sec

POWER			
Engine		Deutz TD2011 L04W turbo diesel 68 kW (91 hp), Tier 3	
Tank capacities			
Fuel		90 L	23.8 gal
Engine oil		10 L	2.64 gal
Hydraulic oil		80 L	21.1 gal
Hydraulic output/pressure		87 L/min - 280 bar	23 gal/min - 4,061 psi

WEIGHT			
Weight*		9,300 kg	20,503 lbs

STANDARDS COMPLIANCE		
		AS 1418.19, EN 1459
		Operating cab conforms to ISO3471 (ROPS) and ISO3449 (FOPS)
		Low emission engine conforms to UE 97/68 directives.

* Weight will vary depending on options and/or country standards
 **** Load ratings vary depending on attachment



Interim specifications. Subject to Australian standards compliance.

Features

STANDARD FEATURES

MEASUREMENTS

- 4,000 kg (8,818 lb) maximum lift capacity
- 9.82 m (32 ft 3 in) maximum lift height
- 6.07 m (19 ft 11 in) maximum forward reach

PRODUCTIVITY

- 4WD
- Four wheel steer
- Three steering modes:
 - Front wheel steer
 - Crab steer
 - Coordinated steer
- Power assisted steering
- Front outriggers
- Hydrostatic transmission with variable displacement pump and motor
- Two-speed mechanical gearbox
- Hydraulic proportional valve bank
- Multifunction joystick
- Limited slip differential on front axle
- Floating forks
- Quick coupling of attachments from cab
- Two-section door (glass upper/steel lower)
- Boom length and boom angle indicators
- Adjustable suspended seat
- Large diameter steering wheel
- Front and rear windscreen wipers
- Sunshield
- Roof protection grid inside cabin
- Front and rear lights
- Windshield protection grid
- Side mounted engine for easy access to components
- Oil immersed multi-disc brake on rear axles
- Lockable fuel tank

STANDARD FEATURES cont.

- Load Management System (LMS) with:
 - Visible display with coloured LEDs
 - Audible alarm
 - Automatic lock-out of boom extension, lifting and lowering
- Control enable switch
- Lockout of outriggers with boom raised and/or boom extended
- Boom safety strut

POWER

- Deutz turbo diesel 68 kW (91 hp)

TYRES

- 405/70-24" tyres

OPTIONS & ACCESSORIES

PRODUCTIVITY

- Air conditioning
- Additional rear view mirror
- Adjustable spotlight on cab
- Adjustable spotlight on boom
- Hydraulic inching
- Spare wheel

ATTACHMENT OPTIONS

Genie has a large range of attachments available. Please contact Genie or your nearest Genie telehandler dealer.



Interim specifications. Subject to Australian standards compliance.

Genie Australia – Toll free number 1800 788 633

Brisbane (Head Office)
33 Kimberley Street
Darra QLD 4076

Sydney
74 Glendenning Road
Glendenning NSW 2761

Melbourne
374 Hammond Road
Dandenong VIC 3175

Perth
83 Bannister Road
Canning Vale WA 6155

Genie United States

Distributed by:

18340 NE 76th Street
P.O. Box 97030
Redmond, Washington
98073-9730

Effective date: April, 2009. Product specifications are subject to change without notice or obligation. The photographs and/or drawings in this document are for illustrative purposes only. Refer to the appropriate Operator's Manual for instructions on the proper use of this equipment. Failure to follow the appropriate Operator's Manual when using our equipment or to otherwise act irresponsibly may result in serious injury or death. The only warranty applicable to our equipment is the standard written warranty applicable to the particular product and sale and we make no other warranty, expressed or implied. Products and services listed may be trademarks, service marks or trade-names of Terex Corporation, Genie Industries, Inc. and/or their subsidiaries in the U.S.A. and many other countries and all rights are reserved. Terex is a Registered Trademark of Terex Corporation in the U.S.A. and many other countries. Genie is a Registered Trademark of Genie Industries, Inc in the U.S.A. and many other countries. Genie is a Terex Company. Copyright 2009 Terex Corporation