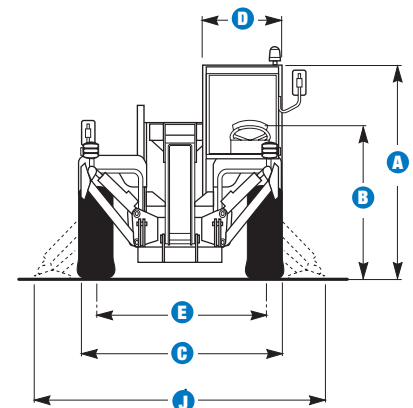
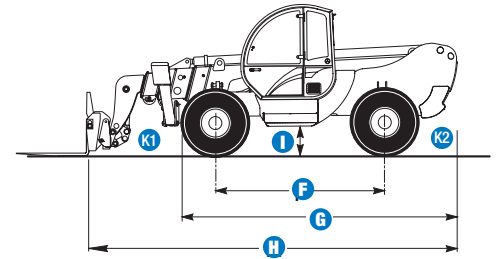


# Specifications

**MODEL** **GTH-4514**

MEASUREMENTS	Metric	Imperial
Lifting height (max)	13.7 m	44 ft 9 in
Lifting capacity (max)	4,500 kg	9,920 lbs
Lift capacity at maximum height	3,500 kg	7,716 lbs
Lift capacity at maximum reach	1,250 kg	2,755 lbs
Forward reach (max)	9.3 m	30 ft 5 in
Reach at maximum height	0.85 m	2 ft 7 in
<b>A</b> Height	2.56 m	8 ft 4 in
<b>B</b> Height at steering wheel	1.92 m	6 ft 3 in
<b>C</b> Width	2.33 m	7 ft 6 in
<b>D</b> Inside cab width	0.91 m	3 ft
<b>E</b> Track	1.92 m	6 ft 3 in
<b>F</b> Wheelbase	2.85 m	9 ft 3 in
<b>G</b> Length at front wheels	4.52 m	14 ft 8 in
<b>H</b> Length at fork-holder plate	5.99 m	19 ft 6 in
<b>I</b> Ground clearance	0.46 m	1 ft 5 in
<b>J</b> Overall width, stabilisers extended	2.93 m	9 ft 6 in
<b>K1</b> Obstruction angle	39°	39°
<b>K2</b> Departure angle	45°	45°

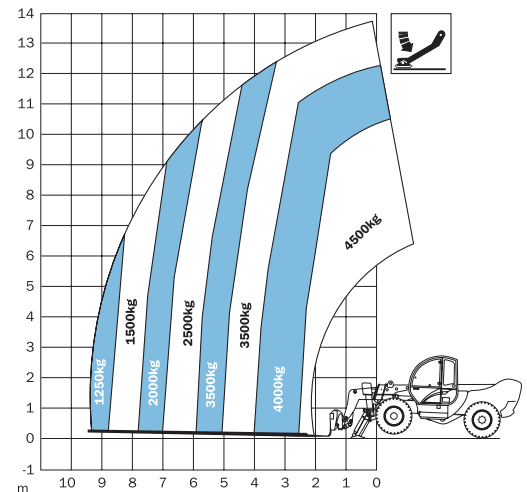


**PRODUCTIVITY**

Lifting/lowering speed	17 sec./16 sec.	17 sec./16 sec.
Extension/retraction speed	25 sec./19 sec.	25 sec./19 sec.
Inside/outside turning radius	1.30 m/3.99 m	4 ft 2 in/13 ft 1 in
Break out force	7,400 kg	16,314 lbs
(with 800L shovel SAE J 732/80)		
Towing capacity at dynamometer	8,300 kg	18,298 lbs
Travel speed	35 km/h	22 mph
Gradeability (Unloaded)	40%	40%
(Full Load)	25%	25%
Fork-holder plate rotation	145°	145°
Floating forks	L 1200 mm	L 3 ft 9 in
	Section 120x50 mm	Section 5 in x 2 in
Tyres (DIN 70361)		405/70-20" 8 hole rim

**POWER**

Engine	Perkins turbo Diesel, direct injection, low emissions. Water cooled, 4 cylinders Power 74.4 kw (101 Hp)	
Tank capacities		
Fuel	135 L	29.7 gal
Engine oil	11.5 L	2.5 gal
Coolant	15 L	3.3 gal
Hydraulic oil	150 L	33 gal



Lift capacity chart (with stabilisers)

**WEIGHT**

Weight*	11,400 kg	25,132 lbs
---------	-----------	------------

**STANDARDS COMPLIANCE**

Operating cab conforms to EEC directives 86/295 (ROPS) and 86/296 (FOPS)

\* Weight will vary depending on options and/or country standards

**EN1459**  
**AS1418-19**

## Features

### STANDARD FEATURES

#### MEASUREMENTS

- 4,500 kg (9,920 lbs) maximum lift capacity
- 13.7 m (44 ft 9 in) maximum lift height
- 9.3 m (30 ft 5 in) maximum forward reach

#### PRODUCTIVITY

- Four-wheel drive
- 3 steering modes:
  - front wheel steer
  - crab steer
  - coordinated steer
- Oscillating rear axle with axle lock out
- Front hydraulic outriggers
- Chassis levelling on front axle (+or-8°)
- Limited slip differential
- Closed loop hydrostatic drive for smooth and precise positioning
- Multi function – electroproportional joystick
- Brakes: multi-disc, oil immersed, self adjusting
- Power assisted steering
- Easy access to components for maintenance
- Floating forks
- Attachment holder plate with mechanical coupling
- Adjustable steering wheel
- Fully adjustable seat
- Lockable fuel tank
- Quick coupling of tools from cab
- Windshield protection grid
- Longitudinal stability control system with: visual display with coloured LEDs, audible alarm, automatic lockout of boom extension and lowering.
- Lockout of stabilisers and chassis levelling with boom raised.

#### POWER

- Perkins turbo Diesel, direct injection, low emissions. Water cooled, 4 cylinders  
Power 74.4 kw (101 Hp)



### OPTIONS & ACCESSORIES

#### PRODUCTIVITY

- Air conditioning
- Spare wheel
- Adjustable spotlights
- Tyres and rims (405/70-24)
- Load management system

#### ATTACHMENT OPTIONS

A large range of attachments are currently available. Please contact Genie or your nearest Genie telehandler dealer.

### Genie Australia

591 Boundary Road, Darra, Qld 4076  
PO Box 394, Richlands, Qld 4077  
Tel: + 61 7 3375 1660  
Toll Free In Australia: 1800 331 660  
Fax: + 61 7 3375 1002

### European Offices

#### UK

The Maltings  
Wharf Road  
Grantham NG31 6BH  
UK  
Tel: +44 (0)1476 584333  
Fax: +44 (0)1476 584334

#### France

10, ZA de la Croix St. Mathieu  
28320 Gallardon  
France  
Tel: +33 (0)2 37 26 09 99  
Fax: +33 (0)2 37 26 09 98

#### Germany

Finienweg 3  
28832 Achim/Bremen  
Germany  
Tel: +49 (0)4202 8852-0  
Fax: +49 (0)4202 8852-25

#### Spain

Gai`a 31, Pol. Ind. Pl`a d'en Coll  
08110 Montcada i Reixac  
Barcelona  
Spain  
Tel: +34 93 572 50 90  
Fax: +34 93 572 50 91

#### Scandinavia

Tagenevägen 72  
425 37 Hisings Kärra  
Sweden  
Tel: +46 31 57 51 00  
Fax: +46 31 57 90 20

### Genie United States

18340 NE 76th Street  
P.O. Box 97030  
Redmond, Washington 98073-9730  
USA  
Tel: +1 425 881-1800  
Fax: +1 425 883-3475

**WEB:** [www.genieindustries.com.au](http://www.genieindustries.com.au)

### Distributed By: