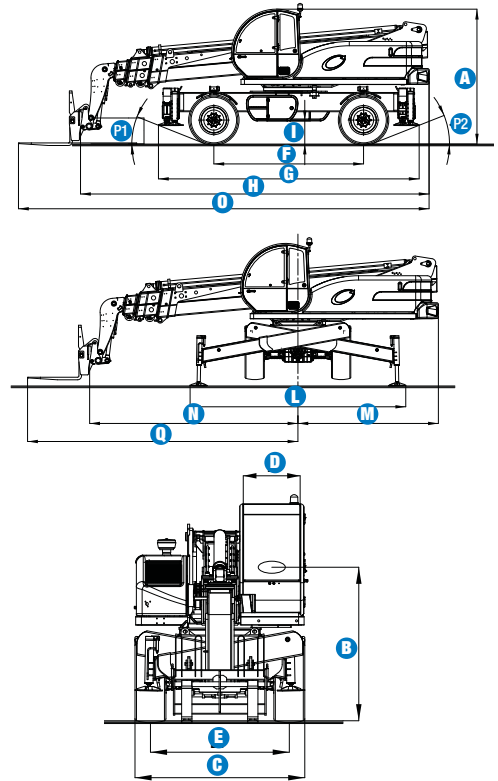


Specifications

MODEL	GTH™-6025 R	
MEASUREMENTS	Metric	US
Lifting height maximum	24.84 m	81 ft 6 in
Lifting capacity maximum	6,000 kg	13,226 lbs
Lift capacity at maximum height	2,000 kg	4,409 lbs
Lift capacity at maximum reach	250 kg	551 lbs
Forward reach maximum	21.46 m	70 ft 4 in
Reach at maximum height	3.65 m	11 ft 11 in
A Height	3.15 m	10 ft 4 in
B Height at steering wheel	2.23 m	7 ft 3 in
C Width	2.47 m	8 ft 1 in
D Inside cab width	0.78 m	2 ft 7 in
E Track	2.02 m	6 ft 7 in
F Wheelbase	3.50 m	11 ft 5 in
G Length at outriggers	6.09 m	19 ft 11 in
H Length at fork-holder plate	8.40 m	27 ft 6 in
I Ground clearance	0.54 m	1 ft 9 in
L Overall width, outriggers extended	5.04 m	16 ft 6 in
M Side rear overhang	3.28 m	10 ft 9 in
N Side front overhang	5.12 m	16 ft 9 in
O Overall length	9.60 m	31 ft 6 in
Q Overall front overhang	6.31 m	20 ft 8 in
P1 Obstruction angle	21.5°	21.5°
P2 Departure angle	21.5°	21.5°

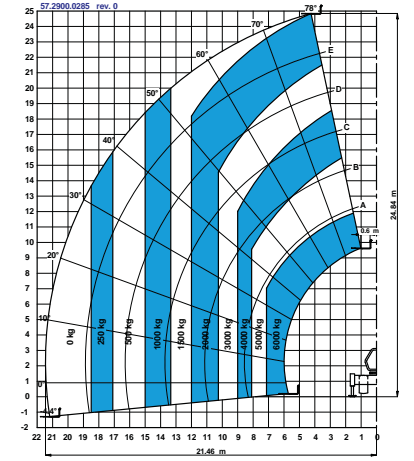
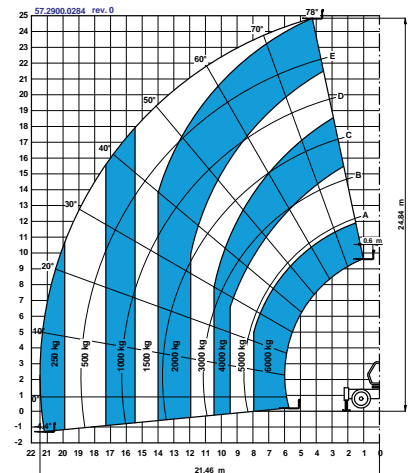


PRODUCTIVITY		
Inside/outside turning radius	2.75 m / 4.85 m	9 ft / 15 ft 11 in
Break out force (with 800L bucket SAE J 732)	11,000 kg	24,248 lbs
Towing capacity at dynamometer*	11,500 kg	25,350 lbs
Drive speed	30 km/h	18.6 mph
Fork-holder plate rotation	124°	124°
Chassis levelling on both axles	+/- 7.5°	+/- 7.5°
Floating forks	L 1200 mm Section 150 x 60 mm	L 3 ft 11 in Section 6 in x 2 in
Tyres (DIN 70361)	445/65 R 22,5"AR-01-TL	
Lifting/lowering time**	26 / 20 sec	26 / 20 sec
Extension/retraction time**	37 / 25 sec	37 / 25 sec

POWER		
Engine	Cummins QSB4,5 4-cylinder turbo diesel 159 hp (119 kW)	
Tank capacities		
Fuel	145 L	38 gal
Engine oil	18 L	5 gal
Hydraulic oil	230 L	61 gal

WEIGHT		
Weight***	20,450 kg	45,080 lbs

STANDARDS COMPLIANCE	
* Maximum load	EU Machinery Directive 98/37/CE
** Without load	Operating cab conforms to ISO3471 (ROPS) and ISO3449 (FOPS)
*** Weight will vary depending on options and/or country standards	Low emission engine conforms to EU Directive 97/68/EC stage III
**** Load ratings vary depending on attachment	



Lift capacity chart (with outriggers, 0°)****

Overseas model specifications. Not certified to Australian regulations. Specifications are subject to change

Features

STANDARD FEATURES

MEASUREMENTS

- 6,000 kg (13,226 lb) maximum lift capacity
- 24.84 m (81 ft 6 in) maximum lift height
- 21.46 m (70 ft 4 in) maximum forward reach

PRODUCTIVITY

- 4WD
- Four wheel steer
- Three steering modes:
 - Front wheel steer
 - Crab steer
 - Coordinated steer
- Hydraulic line on boom
- Electric line on boom including cable reel and cable bracket
- Power assisted steering
- Front and rear outriggers
- Continuous rotation
- Hydrostatic transmission with variable displacement pump and motor electronically controlled
- Two speed mechanical gearbox, type “shift-on-fly”
- Multifunction electro-proportional 4 x 1 joystick
- Second Joystick kit on left handside
- Limited slip differential on front axle
- Chassis levelling on front axle +/- 7.5°
- Floating forks
- Attachment holder plate with hydraulic quick coupling
- Two-section door (glass upper/steel lower)
- Length indicators on boom correspond to load charts
- Adjustable suspended seat
- Large diameter steering wheel
- Front and rear windscreen wipers
- Sunshield
- Roof protection grid
- Two side rear view mirrors
- Fish eye rear view mirror in the back

STANDARD FEATURES cont.

- Front and rear lights
- Side mounted engine for easy access to components
- Oil immersed, multi-disc brake on both axles
- Lockable fuel tank
- Load Management System (LMS) with:
 - Visible display and load moment LEDs indicator
 - Audible alarm
 - Automatic lock-out of boom extension, lowering and lifting
 - Automatic lock-out of outriggers
- Automatic lock-out of rear axle
- Automatic lock-out of boom suspended loads
- Maintenance collar
- Man-platform pre-arrangement
- Hydraulic Jib/Winch pre-arrangement
- Automatic detection of attachments through “plug’n play” system

POWER

- Cummins turbo diesel 159 hp (119 kW), Tier 3

TYRES

- 445/65 R 22.5” tyres

OPTIONS & ACCESSORIES

PRODUCTIVITY

- Air conditioning
- Second hydraulic line on boom
- Windshield protection grid
- Adjustable spotlight on cab
- Adjustable spotlight on boom
- Wiper on cab roof
- Water muffler
- Complete radio remote control
- Rear wheels alignment sensor

ATTACHMENT OPTIONS

Genie has a large range of attachments available. Please contact Genie or your nearest Genie telehandler dealer.

Overseas model specifications. Not certified to Australian regulations. Specifications are subject to change

Genie Australia – Toll free number 1800 788 633

Brisbane (Head Office)
33 Kimberley Street
Darra QLD 4076

Sydney
74 Glendenning Road
Glendenning NSW 2761

Melbourne
374 Hammond Road
Dandenong VIC 3175

Perth
83 Bannister Road
Canning Vale WA 6155

Genie United States

Distributed by:

18340 NE 76th Street
P.O. Box 97030
Redmond, Washington
98073-9730

Effective date: April, 2009. Product specifications and prices are subject to change without notice or obligation. The photographs and/or drawings in this document are for illustrative purposes only. Refer to the appropriate Operator’s Manual for instructions on the proper use of this equipment. Failure to follow the appropriate Operator’s Manual when using our equipment or to otherwise act irresponsibly may result in serious injury or death. The only warranty applicable to our equipment is the standard written warranty applicable to the particular product and sale and we make no other warranty, expressed or implied. Products and services listed may be trademarks, service marks or trade-names of Terex Corporation, Genie Industries, Inc. and/or their subsidiaries in the U.S.A. and many other countries. All rights are reserved. Terex is a Registered Trademark of Terex Corporation in the U.S.A. and many other countries. Genie is a Registered Trademark of Genie Industries, Inc in the U.S.A. and many other countries. Genie is a Terex Company. Copyright 2009 Terex Corporation