

## METRO-MH

LIGHTING TOWER



### Performance

Height Stowed	2.40 m
Length Stowed	
Towbar in Transport Position	2.25 m
Towbar in Towing Position	2.90 m
Stowed Width	1.75 m
Weight GVM	1150 kg
Length with Outriggers Extended	2.34 m
Width with Outriggers Extended	2.15 m
Mast Max. Elevation	9.00 m
Wind Speed Rating	100 km/hr

### Standard Specifications

#### Power

Engine	Kubota D905B
Fuel Type	Diesel
Fuel Consumption (litre per hour)	2.25 L/hr
Running Time (hours)	55 hours
Generator	230 V
Lights	LED
Light Power	4 x 1000 W
Control System	Electronic Control
Noise Level @ 7m radius	< 65 dB(A)
Fuel Tank Capacity	125 L

#### Travel

Wheels	Sunraysia Style 14"x6J
Tyres	205/80 x 16"
Towing Speed (maximum)	80 km/ hr

#### Mast System

Lift	Hydraulic
Mast Lift Time	25 seconds
Mast Lower Time	12.5 seconds
Lighthouse Tilt	50° Electro Mechanical
Lighthouse Rotate	116° (+58°/-58°)
Hydraulic System Pump	
Voltage	12V DC
Pressure	240 bar (3500 psi)
Flow Rate	0.78 cm <sup>3</sup> /rev
Function Control	Electric over Hydraulic

### Standard Features

- External Emergency Stop
- Steel Hoods
- Bunding for all Fluids (120%)
- Forklift Pockets
- Crane Lifting Point
- Folding Drawbar
- Long Extension Wind Down Outriggers
- Light Head Tilt
- 116° Rotation of Light Head
- Torsion Independent Axle
- Cable Mechanical Disc Brakes
- Sunraysia Style Rims
- LED Trailer Lights



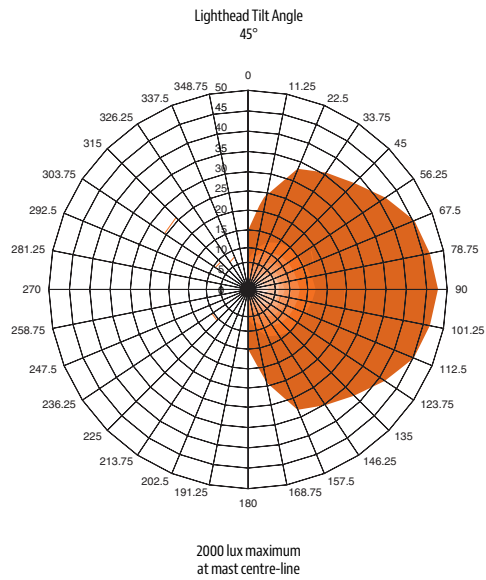
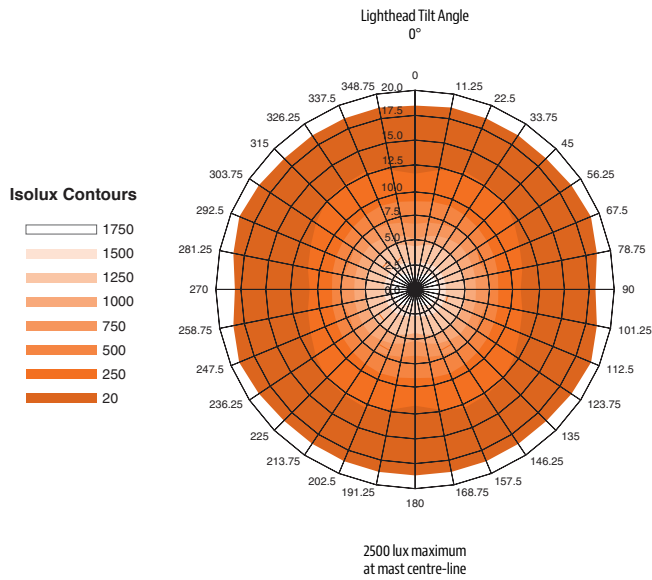
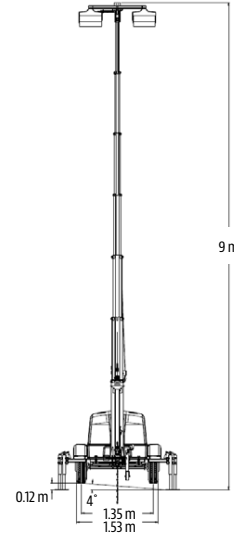
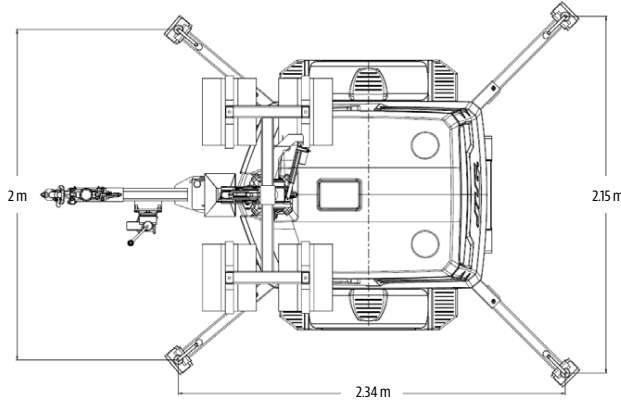
This 9 m tower features 4 x 1000 W Metal Halide Lights and weighs just 1100 kg, enabling easy one person set-up. Designed and manufactured in Australia the Metro-MH tower provides the value you need without sacrificing the performance and quality you require.

### Accessories & Options

- Battery Isolator
- Starter Isolator
- Jump Start Receptacle
- Wheel Chocks
- 4.5 kg Fire Extinguisher
- Beacon and Interior Light

## METRO-MH

LIGHTING TOWER



### The JLG "1 & 5" Warranty

JLG Industries, Inc., backs its products with its exclusive "1 & 5" Warranty. We provide coverage on all products for one (1) full year and cover all specified major structural components for five (5) years. Due to continuous product improvements, we reserve the right to make specification and/ or equipment changes without prior notification.

### JLG Industries (Australia)

358 Park Road  
 Regents Park, NSW 2143  
 Telephone 02 8718 6300  
 Fax 02 8718 6377  
[www.jlg.com.au](http://www.jlg.com.au)

An Oshkosh Corporation Company