

SJ12/16

VERTICAL MASTS



STANDARD FEATURES

- Drivable at full height with platform retracted
- Variable speed, front two wheel hydraulic drive
- 90° Steering (zero inside turning radius)
- Dual holding brakes
- Shroud style, impact resistant composite control box
- Proportional controls for drive and lift functions
- 16" (0.41 m) Traversing platform
- 24V DC Power source
- Low voltage battery protection
- 30% Gradeability
- Solid rubber, non-marking tires
- Pothole protection system
- 110V AC Outlet at platform with GFI
- 28 mph (12.5 m/s) wind rating (SJ12 only)
- Tilt alarm with drive & lift cut-out
- All motion audible alarm
- Lanyard attachment points
- Operator horn
- Lift rings/tie downs
- Full height spring hinged entry gate
- SKYCODED™ Color coded and numbered wiring system
- Telematics ready
- Tilt Sensor (3.0° x 1.5°)
- 2-Year Gold Leaf Warranty (5-year structural warranty)

OPTIONS

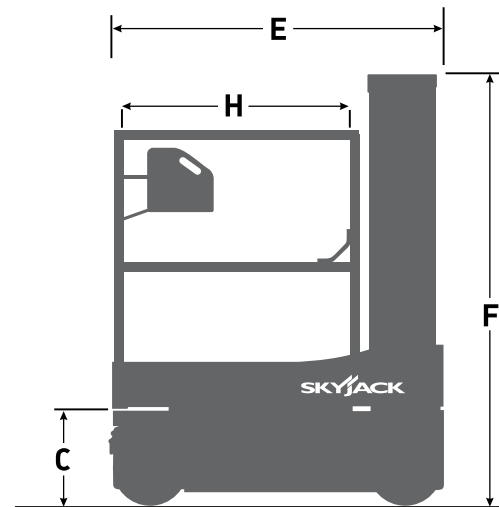
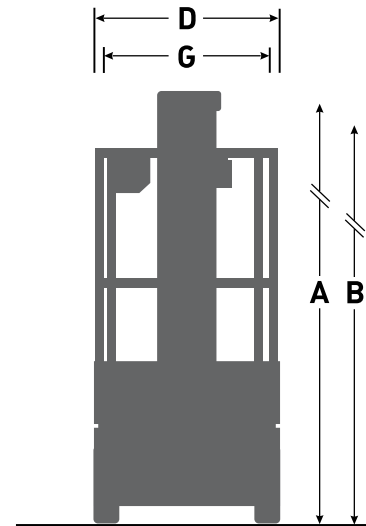
- Light duty pipe rack
- Tool tray
- Fluorescent tube carrier
- Dual flashing lights
- AGM Batteries
- Saloon gate
- Bio oil
- 28 mph (12.5 m/s) wind rating kit to 12 ft (SJ16 only)
- Secondary Guarding Lift Enable (SGLE)
- Non-destructive testing
- ELEVATE telematics (3-year or 5-year plans available)
- ELEVATE Battery Management System (BMS) *
- Warranty options (3-year or 5-year plans available)

† Standard lead times may be increased when optional equipment is added, consult factory.
‡ Capacities and machine weights may differ when options are added.
* Only available with ELEVATE telematics

NA/ENG 06/2021

SJ12/16 VERTICAL MASTS

Dimensions	SJ12	SJ16
A Work Height	18' (5.48 m)	21' 7" (6.58 m)
B Raised Platform Height	12' (3.65 m)	15' 7" (4.75 m)
C Lowered Platform Height	18" (0.46 m)	18" (0.46 m)
D Overall Width	30.5" (0.78 m)	30.5" (0.78 m)
E Overall Length	54" (1.37 m)	54" (1.37 m)
F Stowed Height	70" (1.78 m)	70" (1.78 m)
G Platform Width (Inside Dimension)	27" (0.69 m)	27" (0.69 m)
H Platform Length (Inside Dimension)	33.5" (0.86 m)	33.5" (0.86 m)
Specifications	SJ12	SJ16
Ground Clearance (Pothole Raised)	2.1" (5.3 cm)	2.1" (5.3 cm)
Ground Clearance (Pothole Deployed)	0.5" (1.3 cm)	0.5" (1.3 cm)
Wheelbase	42" (1.07 m)	42" (1.07 m)
Weight	1,905 lbs (863 kg)	2,160 lbs (980 kg)
Gradeability	30%	30%
Turning Radius (Inside)	0	0
Turning Radius (Outside)	55" (1.40 m)	55" (1.40 m)
Lift Time (With Rated Load)	14 sec	21 sec
Lower time (With Rated Load)	15 sec	18 sec
Drive Speed (Stowed)	2.5 mph (4.0 km/h)	2.5 mph (4.0 km/h)
Drive Speed (Raised)	0.5 mph (0.8 km/h)	0.5 mph (0.8 km/h)
Maximum Drive Height	Full Height	Full Height
Capacity (Overall)	500 lbs (227 kg)	500 lbs (227 kg)
Local Floor Load (With Rated Load)	108 psi (745 kPa)	128 psi (880 kPa)
Overall Floor Load (With Rated Load)	213 psf (1,040 kg/m ²)	236 psf (1,152 kg/m ²)
Maximum # of Persons at 0 mph (0 m/s) Wind Rating	2	1
Maximum # of Persons up to 28 mph (12.5 m/s) wind rating	1	0 / Optional 1
Tire Type	Solid, N/M	Solid, N/M
Tire Size	12 x 4 x 8	12 x 4 x 8



Skyjack Head Office
 55 Campbell Rd. Guelph, ON Canada N1H 1B9
 Sales Inquiries: 1-877-755-4387 (1-877-SJLIFTS)
 Main Switchboard: 1-800-265-2738
 Phone: 519-837-0888
 Fax: 519-837-8104
 Email: skyjack@skyjack.com

www.skyjack.com



This brochure is for illustrative purpose only and based on the latest information at the time of printing. Skyjack Inc. reserves the right to make changes at any time, without notice, to specifications, standard and optional equipment. Consult the Operating Maintenance and Parts Manuals for proper procedures. Work platforms have been tested to comply with ANSI and CSA standards as interpreted by Skyjack Inc.